



New Launch- GOETZE PISTONS

In continuation to our new launch, we are delighted to introduce piston sets:



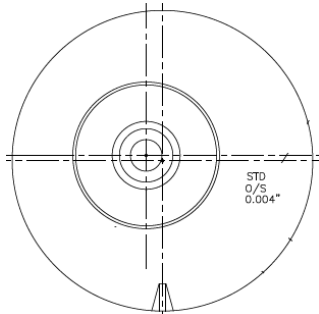
PISTON SETS For FORD 3600 TRACTOR

Cylinder Bore Diameter – 106.70 mm

Engine set of 3 cylinders

GOETZE PISTON PART NO. : 5435 PPC

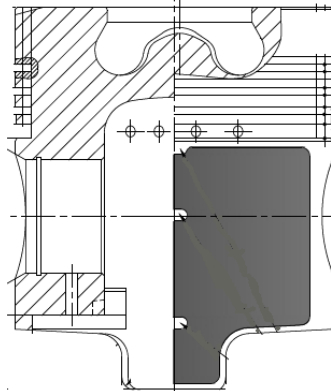
Sizes : STD and 0.020"



PISTON DATA	in MM
PISTON DIA.	106.526
TOP LAND HT.	19.4
COMPRESSION. HT.	70.6
TOTAL HT.	129
PISTON-LINER CLEARANCE	0.125 (approx.)
PIN OD x ID x LENGTH	38.1/ 19x 89.1

Additional features:

- CNC turned crown cavity for correct compression ratio
- NI-Resist CI Ring carrier in 1st Ring groove for more life
- Moly-coated skirt for reduced cold scuffing & better mileage
- Oil holes in oil ring groove for low oil consumption
- Oil hole in Pin Bore for more engine output & more life
- Advanced piston design for more mileage & reduced noise



****Matching Ring Set no. 8273SHAKTI & other 8273.. series***

This product bulletin is an exclusive update of product information from Federal-Mogul . For any query or copy of bulletin , kindly contact technical service section at 0124-478 6104, E Mail- athar.halim@federalmogul.com.

THE BEST BRANDS IN THE BUSINESS

