



New Launch- GOETZE LINER KIT

In continuation to our new launch, we are delighted to introduce liner kit:

Application for HYUNDAI SANTRO ERLX 1.1L

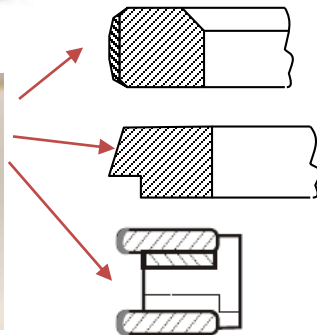
GOETZE PART NO. : 03210MPL

Cyl. Bore Dia. – 67.0 mm

In Four cylinder packing



KIT WITH HANDLE ON TOP



RING PACK X-SECTION



Kit Contents	Existing Part Number
Piston pin and circlip	03210PPN
Ring	5550GTX
Liner	003970SFLIN

TECHNICAL DATA PISTONS

Nominal Bore Diameter	67.00 mm
Piston Diameter	66.985mm
Top Land	4.8 mm
Ring Grooves	1.2 / 1.2 / 2.0
Compression Height	24.6 mm
Total Height	48.55 mm
Pin Diameter x Length	17 mm x 46.3 mm
Piston Coating	-

TECHNICAL DATA PISTON RINGS

Parameter	TOP	Mid	Oil
Dia	67.0		
Axial	1.2	1.2	2.0
Coating	NITRIDED	-	NITRIDED
Closed Gap	0.15-0.30	0.20...0.35	0.15...0.70
Material	STEEL	STD	STEEL
Ring type	RECTANGULAR, BEVEL	NAPIER,	3POR
No. of slots	-	-	-

This product bulletin is an exclusive update of product information from Federal-Mogul . For any query or copy of bulletin , kindly contact technical service section at 0124-478 6104, E Mail- ashish.seth@fmmotorparts.com

THE BEST BRANDS IN THE BUSINESS





New Launch- GOETZE LINER KIT

In continuation to our new launch, we are delighted to introduce LINER KIT :

Application for HYUNDAI SANTRO ERLX 1.1L

GOETZE PART NO. : 03210MPL

Special Features Their Advantages

S.No.	Special Features	Benefits to customer
1	Special Aluminum Silicon Alloy	Lesser expansion hence can work with lesser clearance.
2	CNC Milled Bowl	Helpsincompletecombustionandhencebetterfuelaverageand
3	Solid Section Above Pin boss	Provides more strength to piston and hence longer life.
4	Optimized Inner Contour	Piston can withstand heavy thermal loads .
5	As cast oil slots	Lesser oil consumption
6	Thin Top Land	Lesser dead volume & lesser emissions
7	Pin bore relief	For improved oil lubrication

Advanced Steel Nitrided Ring

- Steel Nitrided rings for enhanced life and performance
- Napier Second ring enhances scraping effect for low oil consumption
- Cuts down Exhaust emissions

Superior Liner

- Liner has superior material for better durability
- The liner is Semi finished to facilitate reboring so as to maintain piston-liner clearance after installation

This product bulletin is an exclusive update of product information from Federal-Mogul . For any query or copy of bulletin , kindly contact technical service section at 0124-478 6104, E Mail- ashish.seth@fmmotorparts.com

THE BEST BRANDS IN THE BUSINESS

